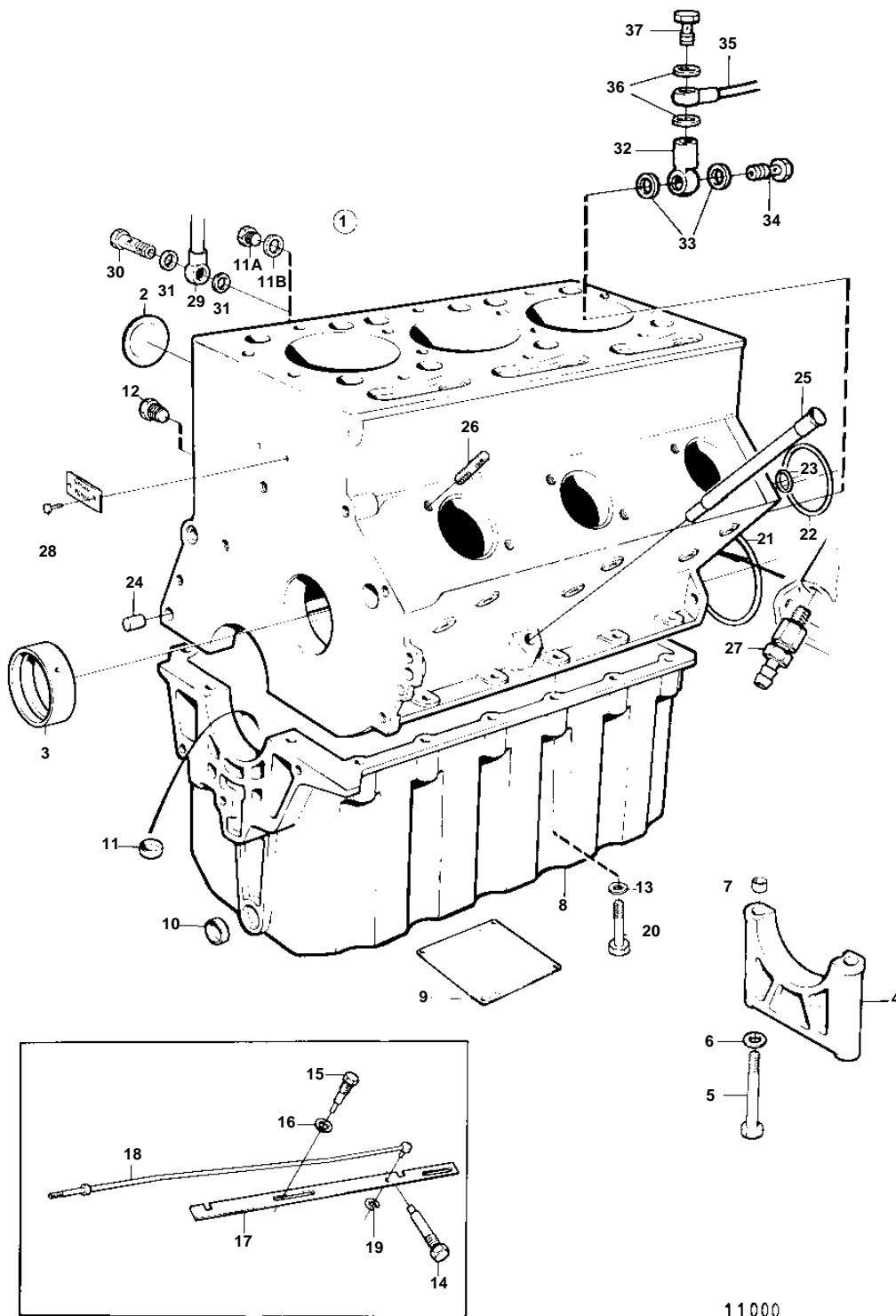


2003TB-SOLAS



2003TB-SOLAS

REF	PART NO.	QTY	DESCRIPTION	NOTES
1	860233	1	Cylinder block, CYLINDER BLOCK	WITH O-RING GROOVE FOR SEALING BETWEEN CYLINDER BLOCK AND FUEL INJECTION PUMP. REPL BY 861245
	861245	1	Cylinder block	SN2300057835-. WITH O-RING GROOVE FOR SEALING BETWEEN CYLINDER BLOCK AND FUEL INJECTION PUMP.
2	477024	3	· Expansion plug	
3	463360	4	· Bushing	
4		2	· BEARING CAP	
5	963257	8	· Screw	
6	840210	8	· Washer	
7	3875305	6	· Guide sleeve	
8		1	· OIL SUMP	
9	840588	1	· Strainer	
10	840713	1	· Cap plug	
11	946778	1	· Cap plug	
11A	960630	1	· Plug	
11B	969011	1	· Gasket	
12	192154	1	· Plug	
13	941907	12	· Spring washer	
14	840312	3	· Screw	
15	840489	2	· Screw	
16	947620	2	· Gasket	
17	840582	1	· Control rod	
18	840599	1	· Link rod	LINK ROD 858681 IS INTENDED FOR 2003T, 2003TB AND 2003TB-SOLAS.SEE GROUP 2C.
19	951665	1	· Retaining ring	
20	955300	12	· Screw	
21	967592	1	O-ring	IK
22	967590	1	O-ring	IK
23	943177	1	O-ring	IK
24	950586	4	Pin	
25	840846	1	Tube	
26	924061	6	Stud	
27	947893	1	Drain cock	
28	950885	2	Drive screw	
29	840959	1	Tube	SEE GROUP 2B. CYLINDER BLOCK-TURBO COMPRESSOR
30	25167	1	Hollow screw	
31	969011	2	Gasket	
32	860890	1	Banjo nipple	
33	949329	2	Gasket	
34	860891	1	Hollow screw	
35	860903	1	Return pipe	SEE GROUP 2B. TURBO COMPRESSOR-CYLINDER BLOCK
36	947622	2	Gasket	
37	941686	1	Hollow screw	